

## Product Specifications

Housing and End Cap Material	Steel
Standard Fluid Port	SAE #16 O-Ring
Piston Material	Aluminum
Sealing Material	Buna-N
Back-Up/ Wear Ring Material	Teflon
Gas Valve Material	Stainless Steel
Max Working Pressure	3000 psi (206 bar)
Proof Pressure	3900 psi (269 bar)
Burst Pressure	10500 psi (723 bar)
Temperature Range	-20°F to 200°F (-29°C to 93°C)
Seal Kit Part Number	KT-207416

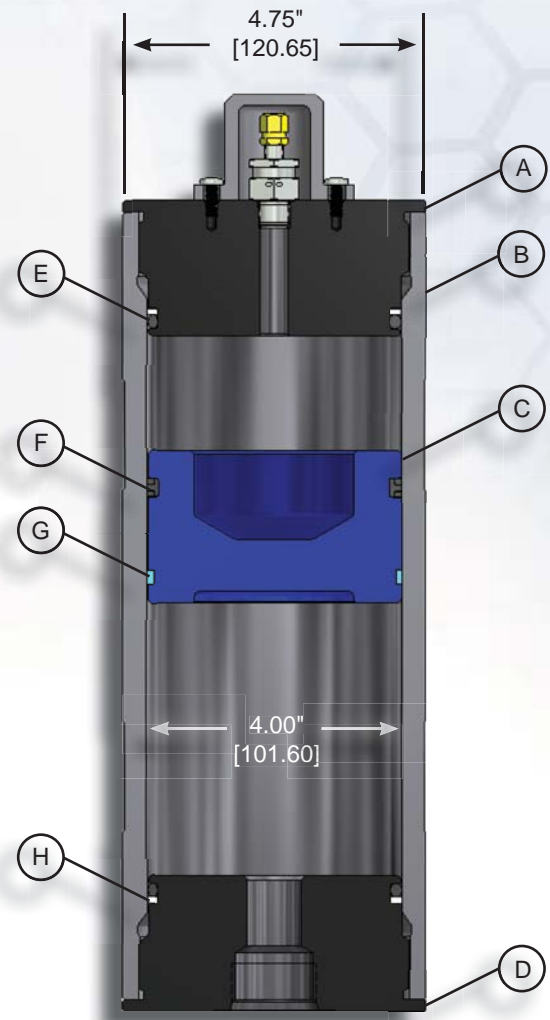
# A40 Series

## 4.0" bore, 3000 psi Piston Accumulators

## Parts Legend

Item	Description
A	Gas Cap
B	Housing
C	Piston
D	Oil Cap
E	O-Rings (2 req'd)
F	Piston Seal
G	Wear Ring
H	Back-Up Rings (2 req'd)

Designed per  
**ASME,**  
Section VIII, Div. 1  
Standards



## Model Variations

Model No.	Nominal Size		Oil Volume		Gas Volume		Overall Length*		Weight	
	gal	liters	in <sup>3</sup>	liters	in <sup>3</sup>	liters	in	mm	lbs	kg
A40-0058-3K-B-16S	0.25	0.95	58	0.95	64	1.05	14.70	373.38	33	15
A40-0116-3K-B-16S	0.50	1.90	116	1.90	122	2.00	19.20	487.68	39	18
A40-0231-3K-B-16S	1.00	3.79	231	3.79	237	3.88	28.45	722.63	53	24
A40-0347-3K-B-16S	1.50	5.69	347	5.69	353	5.79	37.45	951.23	66	30
A40-0462-3K-B-16S	2.00	7.57	462	7.57	468	7.67	46.70	1186.18	80	36
A40-0578-3K-B-16S	2.50	9.47	578	9.47	584	9.57	55.95	1421.13	93	42
A40-0693-3K-B-16S	3.00	11.36	693	11.36	699	11.46	65.20	1656.08	107	49

\*Length shown includes 1.656" for gas valve cover.

FORM: A403K B