

Product Specifications

Housing and End Cap Material	Steel
Standard Fluid Port	SAE #20 O-Ring
Piston Material	Aluminum
Sealing Material	Buna-N
Back-Up/ Wear Ring Material	Teflon
Gas Valve Material	Stainless Steel
Max Working Pressure	3000 psi (206 bar)
Proof Pressure	3900 psi (269 bar)
Burst Pressure	10500 psi (723 bar)
Temperature Range	-20°F to 200°F (-29°C to 93°C)
Seal Kit Part Number	KT-206357

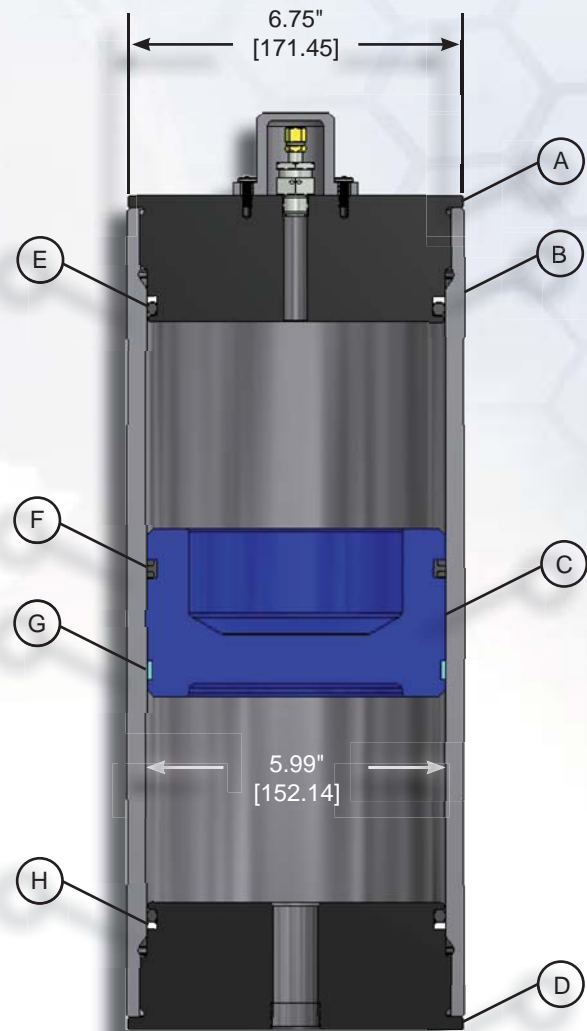
Parts Legend

Item	Description
A	Gas Cap
B	Housing
C	Piston
D	Oil Cap
E	O-Rings (2 req'd)
F	Piston Seal
G	Wear Ring
H	Back-Up Rings (2 req'd)

**Designed per
ASME,
Section VIII, Div. 1
Standards**

A60 Series

6.0" bore, 3000 psi Piston Accumulators



Model Variations

Model No.	Nominal Size		Oil Volume		Gas Volume		Overall Length*		Weight	
	gal	liters	in ³	liters	in ³	liters	in	mm	lbs	kg
A60-0231-3K-B-20S	1.00	3.79	231	3.79	261	4.28	20.07	509.78	79	36
A60-0347-3K-B-20S	1.50	5.69	347	5.69	377	6.18	24.07	611.38	87	39
A60-0462-3K-B-20S	2.00	7.57	462	7.57	492	8.06	28.07	712.98	96	44
A60-0578-3K-B-20S	2.50	9.47	578	9.47	608	9.97	32.32	820.93	105	48
A60-1155-3K-B-20S	5.00	18.93	1155	18.93	1185	19.42	52.57	1335.28	148	67
A60-1733-3K-B-20S	7.50	28.40	1733	28.40	1763	28.90	73.07	1855.98	192	87
A60-2310-3K-B-20S	10.00	37.86	2310	37.86	2340	38.35	93.57	2376.68	235	107

*Length shown includes 1.656" for gas valve cover.

FORM: A603K B