

Product Specifications

Housing and End Cap Material	Steel
Standard Port Size	SAE #20 O-Ring
Piston Material	Aluminum
Sealing Material	Buna-N
Back-Up/ Wear Ring Material	Teflon
Gas Valve Material	Stainless Steel
Max Working Pressure	5,000 psi (345 bar)
Proof Pressure	7,500 psi (517 bar)
Burst Pressure	20,000 psi (1378 bar)
Temp. Range (ASME)	-20°F to 200°F (-29°C to 93°C)
Temp. Range (CE)	0°F to 200°F (-17°C to 93°C)
Seal Kit Part Number	KT-207925

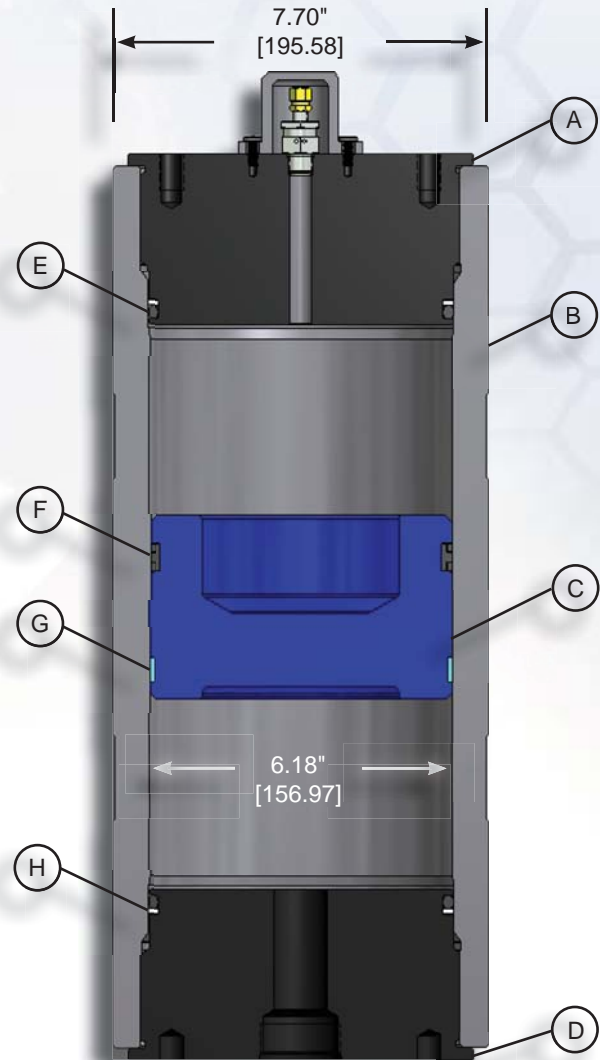
Parts Legend

Item	Description
A	Gas Cap
B	Housing
C	Piston
D	Oil Cap
E	O-Rings (2 req'd)
F	Piston Seal
G	Wear Ring
H	Back-Up Rings (2 req'd)

**Designed per
ASME,
Section VIII, Div. 1
Standards**

A61 Series

6.18" bore, 5000 psi Piston Accumulators



Model Variations

Model No.	Nominal Size		Oil Volume		Gas Volume		Overall Length*		Weight	
	gal	liters	in ³	liters	in ³	liters	in	mm	lbs	kg
A61-0231-5K-B-20S	1.00	3.79	231	3.79	256	4.20	21.82	554.23	148	67
A61-0347-5K-B-20S	1.50	5.69	347	5.69	372	6.10	25.57	649.48	165	75
A61-0578-5K-B-20S	2.50	9.47	578	9.47	603	9.88	33.32	846.33	201	91
A61-1155-5K-B-20S	5.00	18.93	1155	18.93	1180	19.34	52.57	1335.28	291	132
A61-1733-5K-B-20S	7.50	28.40	1733	28.40	1758	28.81	71.82	1824.23	381	173
A61-2310-5K-B-20S	10.00	37.86	2310	37.86	2335	38.27	91.07	2313.18	471	214
A61-2888-5K-B-20S	12.50	47.33	2888	47.33	2913	47.74	110.32	2802.13	561	254
A61-3465-5K-B-20S	15.00	56.79	3465	56.79	3490	57.20	129.57	3291.08	650	295

*Length shown includes 1.656" for gas valve cover.