

## Product Specifications

Housing and End Cap Material	Steel
Standard Port Size	SAE #32 O-Ring
Piston Material	Aluminum
Sealing Material	Buna-N
Back-Up/ Wear Ring Material	Teflon
Gas Valve Material	Stainless Steel
Max Working Pressure	3,000 psi (206 bar)
Proof Pressure	3,900 psi (269 bar)
Burst Pressure	12,000 psi (827 bar)
Temp. Range (ASME)	31°F to 200°F (-1°C to 93°C)
Temp. Range (CE)	32°F to 200°F (0°C to 93°C)
Seal Kit Part Number	KT-207925

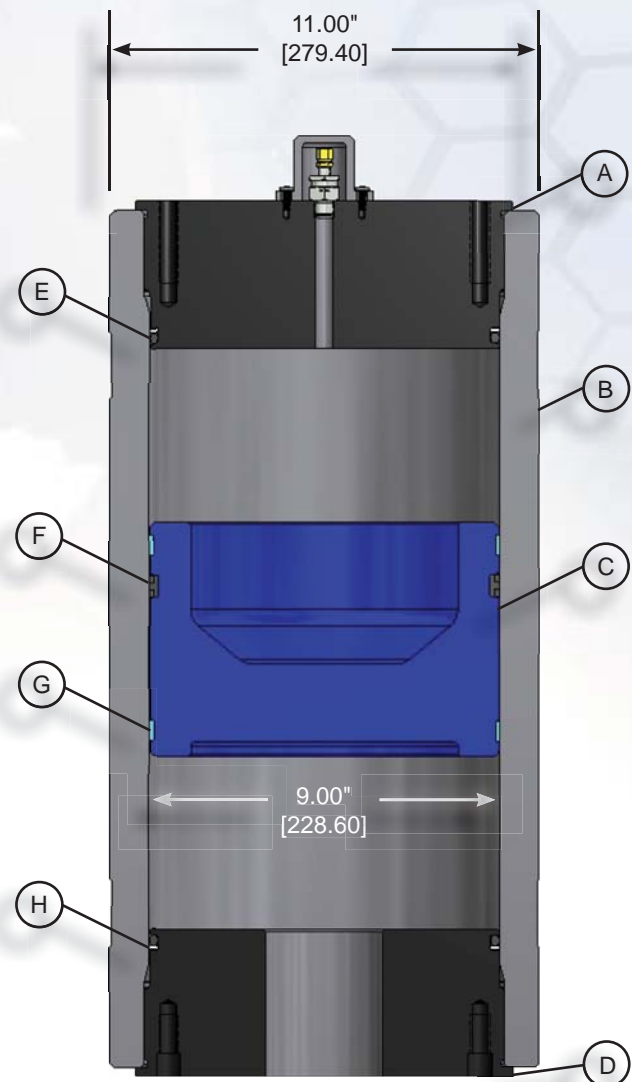
## Parts Legend

Item	Description
A	Gas Cap
B	Housing
C	Piston
D	Oil Cap
E	O-Rings (2 req'd)
F	Piston Seal
G	Wear Ring
H	Back-Up Rings (2 req'd)

**Designed per  
ASME,  
Section VIII, Div. 1  
Standards**

# A90 Series

## 9.0" bore, 3000 psi Piston Accumulators



## Model Variations

Model No.	Nominal Size		Oil Volume		Gas Volume		Overall Length*		Weight	
	gal	liters	in <sup>3</sup>	liters	in <sup>3</sup>	liters	in	mm	lbs	kg
A90-2310-3K-B-32S	10.00	37.86	2310	37.86	2359	38.66	53.32	1354.33	592	269
A90-3465-3K-B-32S	15.00	56.79	3465	56.79	3514	57.59	71.32	1811.53	757	343
A90-4620-3K-B-32S	20.00	75.72	4620	75.72	4669	76.52	89.57	2275.08	920	417
A90-5775-3K-B-32S	25.00	94.65	5775	94.65	5824	95.46	107.82	2738.63	1083	491
A90-6930-3K-B-32S	30.00	113.58	6930	113.58	6979	114.39	125.82	3195.83	1243	564

\*Length shown includes 1.656" for gas valve cover.

FORM: A903K B