

Product Specifications

Housing and End Cap Material	Steel
Standard Port Size	3/4" NPTF
Piston Material	Aluminum
Sealing Material	Buna-N
Back-Up/ Wear Ring Material	Teflon
Gas Valve Material	Stainless Steel
Max Working Pressure	5,000 psi (345 bar)
Proof Pressure	7,500 psi (517 bar)
Burst Pressure	20,000 psi (1378 bar)
Temp. Range	-20°F to 200°F (-29°C to 93°C)
Seal Kit Part Number	KT-203305-1

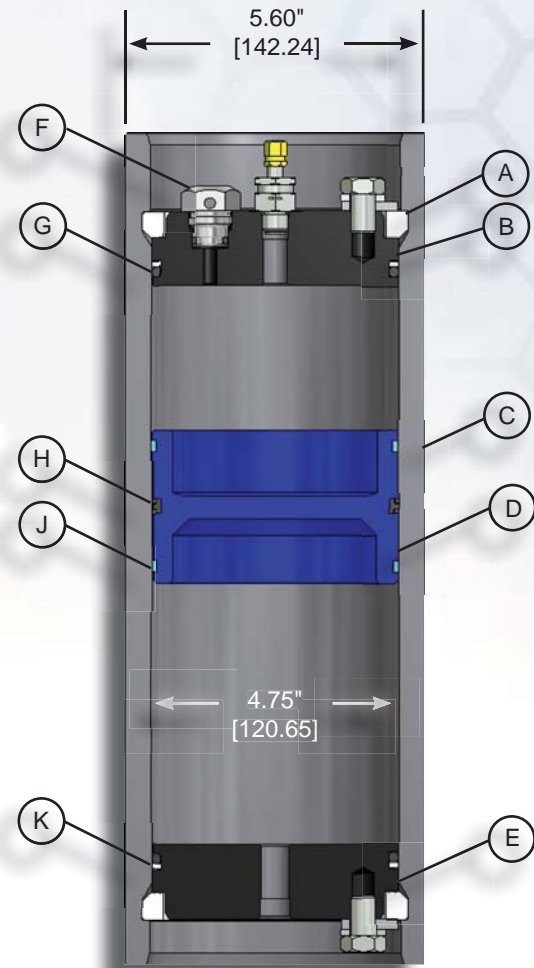
Parts Legend

Item	Description
A	Segment Rings (2 req'd)
B	Gas Cap
C	Housing
D	Piston
E	Oil Cap
F	Fuse Assembly
G	O-Rings (2 req'd)
H	Piston Seal
J	Wear Ring
K	Back-Up Rings (2 req'd)

**Designed per
ASME,
Section VIII, Div. 1
Standards**

ACB Series

4.75" bore, 5000 psi Piston Accumulators



Model Variations

Model No.	Nominal Size		Oil Volume		Gas Volume		Overall Length		Weight	
	gal	liters	in ³	liters	in ³	liters	in	mm	lbs	kg
ACB5C-12P-NT-4	0.50	1.69	103	1.69	127	2.08	14.00	355.60	44	20
ACB10C-12P-NT-4	1.00	3.36	205	3.36	229	3.75	19.75	501.65	57	26
ACB15C-12P-NT-4	1.50	4.88	298	4.88	322	5.28	25.00	635.00	68	31
ACB20C-12P-NT-4	2.00	7.28	444	7.28	468	7.67	33.25	844.55	85	39
ACB25C-12P-NT-4	2.50	9.39	573	9.39	597	9.78	40.50	1028.70	104	47
ACB30C-12P-NT-4	3.00	10.69	652	10.69	676	11.08	45.00	1143.00	115	52

FORM: ACB5K B