

## Product Specifications

Calibrated for Use With:	CMA Series Starters
Housing Material:	Aluminum
Maximum Working Pressure:	3000 psi (206 bar)
Maximum Flow Rate:	52 GPM (200 l/min)
Weight:	0.50 lb. (0.23 kg)
Inlet Connection:	3/4" BSPP
Outlet Connection:	3/4" BSPP

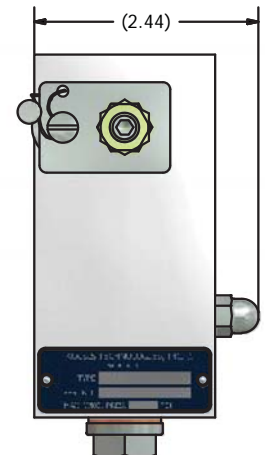
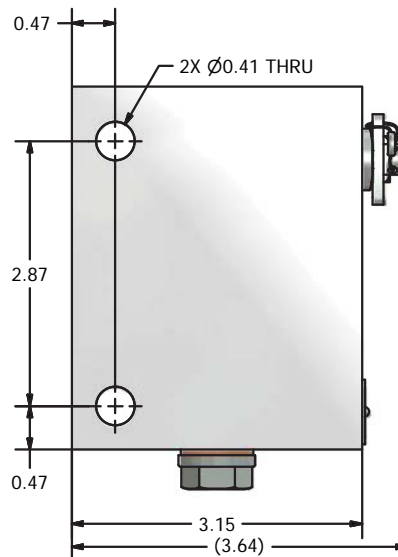
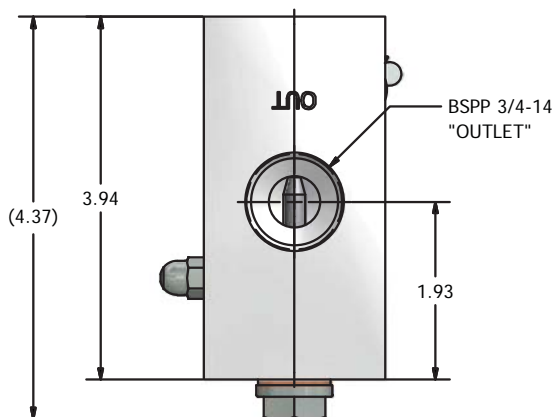
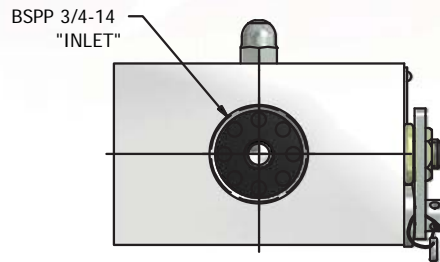
# VA-308225

## Soft Engage Valve

### CMA Calibration



**Also Available FI-208199  
Convert from 3/4" BSPP to  
SAE #12 O-Ring Port  
(Consult Factory for Pricing)**



FORM: SEVCMA A