

## Product Specifications

Calibrated for Use With:	CMD-2A Series Starters
Housing Material:	Aluminum
Maximum Working Pressure:	3000 psi (206 bar)
Maximum Flow Rate:	52 GPM (200 l/min)
Weight:	0.50 lb. (0.23 kg)
Inlet Connection:	3/4" BSPP
Outlet Connection:	3/4" BSPP

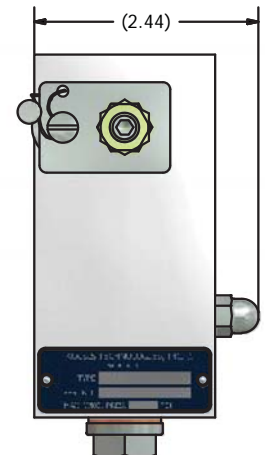
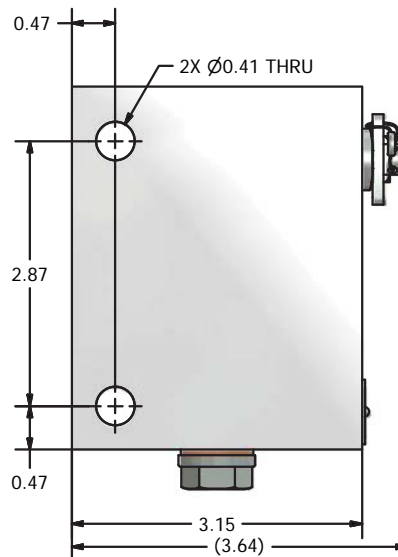
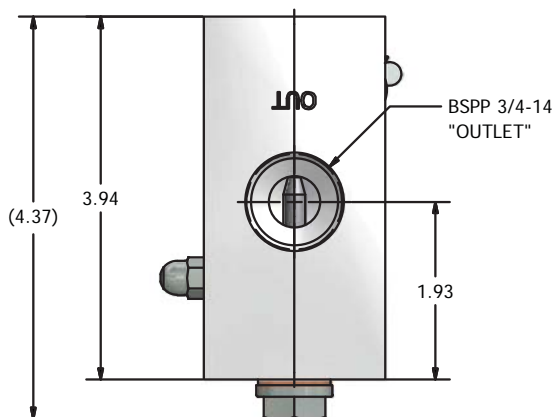
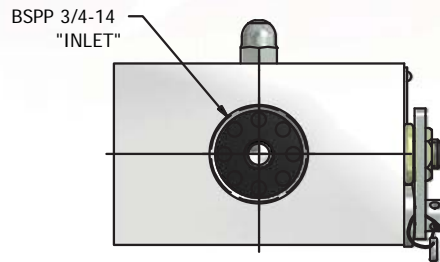
# VA-308231

## Soft Engage Valve

### CMD-2A Calibration



**Also Available FI-208199**  
**Convert from 3/4" BSPP to**  
**SAE #12 O-Ring Port**  
**(Consult Factory for Pricing)**



FORM: SEVCMD2A A